



DNH

HEAD OFFICE, NORWAY
DNH AS

Phone..... + 47 35 98 56 00
Fax..... + 47 35 98 56 10
E-mail..... dnh@dnh.no
Web-Site..... www.dnh.no

ENGLAND

DNH WW Ltd

Phone..... + 44 1908 275 000
Fax..... + 44 1908 275 100
E-mail..... dnh@dnh.co.uk

GERMANY

DNH GmbH

Phone... + 49 040 6569 30-0
Fax..... + 49 040 6569 30-30
E-mail..... dnh@dnh.de

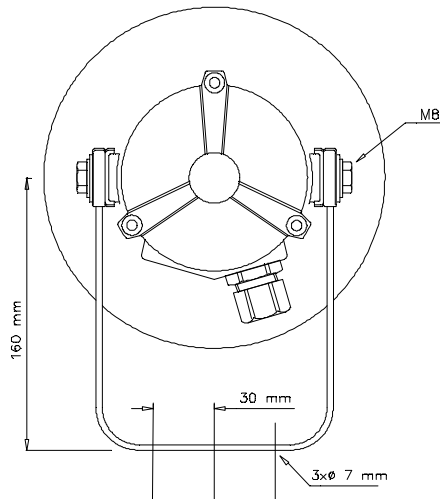
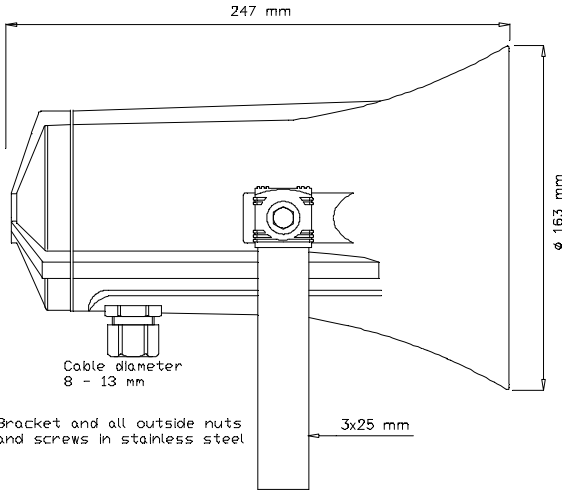
HS-15S(T)

USA

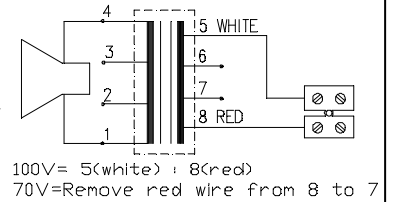
DNH Speakers Inc

Phone..... + 1 484 494 5790
Fax..... + 1 484 494 5793
E-mail..... dnh@dnhspeakers.com

ISO 9001 CERTIFIED

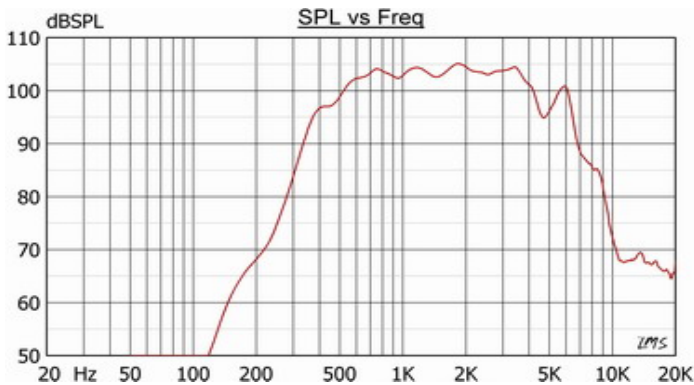


CIRCUIT DIAGRAM



| Secondary nominal tapings | |
|---------------------------|-------|
| 1 : 4 | 15 W |
| 1 : 3 | 8,0 W |
| 2 : 4 | 5,0 W |
| 1 : 2 | 4,5 W |
| 3 : 4 | 2,5 W |
| 2 : 3 | 1,0 W |

Sound pressure levels at 1W/1m



Specifications

| | |
|-------------------------------|----------------------------|
| Material / Color | Aluminum alloy / RAL 7035 |
| Mounting | Bracket |
| Termination | Inside screw terminals |
| Weight w/transformer | 2,7 kg |
| IP-rating | 55 |
| Max. / min. amb. temp | 150°C / -50°C |
| Rated / max. power | 15 W / 20 W |
| SPL 1W/1m | 107 dB |
| SPL rated power | 118 dB |
| Effective freq. range | 350 – 7500 Hz |
| Dispersion (-6dB) 1kHz / 4kHz | 140° / 50° |
| Options | Impedances, colors, labels |

Installation, Operation and Maintenance Procedures

- H-15S is designed to withstand sound shocks (maximum 175 dB).
- Fasten the bracket to wall with 1-3 screws and ensure to use all washers in the same position that the loudspeaker is delivered with. (To isolate the main body from the bracket).
- Open the lid back 3 screws. Lead cable through cable gland and connect to terminal. Screw lid back into place, 3 screws with a torque of 2 - 3 Nm to assure the IP rating.
- To change the position of the loudspeaker, please adjust the bracket (by loosening / tightening the screws) as required.
- For optimum performance, always use the correct voltage / power and operate within the frequency limits as stated.
- The aluminum surface of the loudspeaker should be regularly treated with paint at the same interval as with other similar outdoor equipment.
- Do not open loudspeaker when energized.
- This loudspeaker is supplied with a 2 year warranty against defective workmanship.

DNH reserves the right to alter specifications without notice

